

## Accessories

### Water mixing tap one lever, one side with backsplash

ITEM # \_\_\_\_\_

MODEL # \_\_\_\_\_

NAME # \_\_\_\_\_

SIS # \_\_\_\_\_

AIA # \_\_\_\_\_


**588099 (MAEABBB000)**

 Water mixing tap one lever,  
 one side with backsplash

#### Optional Accessories

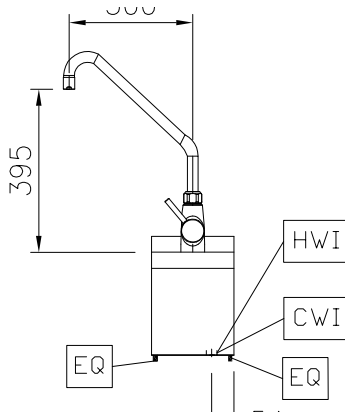
- Connecting rail kit for appliances with backsplash, 800mm PNC 912497
- Connecting rail kit for appliances with backsplash: modular 80 (on the left), ProThermetic tilting (on the right), ProThermetic stationary (on the left) to ProThermetic tilting (on the right) PNC 912977
- Connecting rail kit for appliances with backsplash: modular 80 (on the right), ProThermetic tilting (on the left), ProThermetic stationary (on the right) to ProThermetic tilting (on the left) PNC 912978
- Back panel, 200x700mm, for units with backsplash PNC 913007
- Back panel, 200x800mm, for units with backsplash PNC 913020
- Endrail kit, flush-fitting, with backsplash, left PNC 913113
- Endrail kit, flush-fitting, with backsplash, right PNC 913114
- Endrail kit (12.5mm) for thermaline 80 units with backsplash, left PNC 913204
- Endrail kit (12.5mm) for thermaline 80 units with backsplash, right PNC 913205
- Insert profile D=800mm PNC 913230

APPROVAL: \_\_\_\_\_

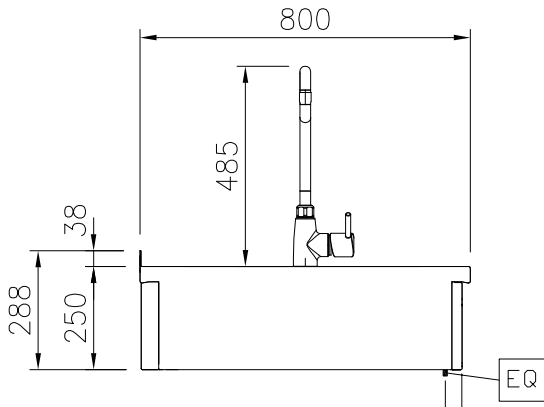
**Key Information:**

<b>External dimensions, Width:</b>	
<b>588099 (MAEABBB000)</b>	200 mm
<b>External dimensions, Depth:</b>	800 mm
<b>External dimensions, Height:</b>	250 mm
<b>Net weight:</b>	13.5 kg

Front



Side



Top

